

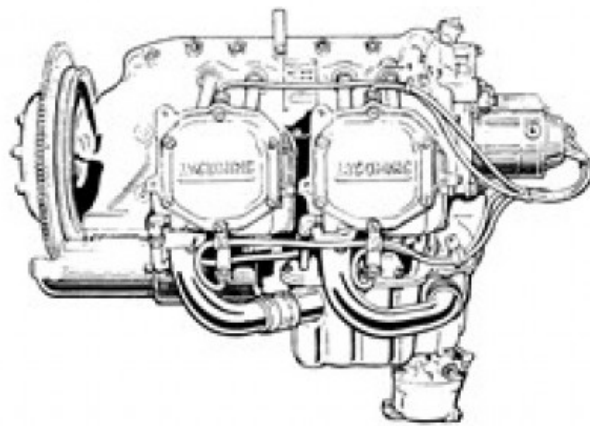

DOWNLOAD

[Lycoming O 320 E3d Manual](#)

TEXTRON Lycoming AIRCRAFT ENGINES

O-320, IO-320 & LIO-320
Series

PARTS CATALOG PC-103



TEXTRON Lycoming

Subsidiary of Textron Inc.

652 Oliver Street
Williamsport, PA 17701 U.S.A.
717/323-6161

[Lycoming O 320 E3d Manual](#)

DOWNLOAD

O-320 Operator's Manual O-320-D2J, O-320-D3G, O-320-E1A, O-320-E1F, O-320-E2F, O-320-E2A, O-320-E2B, O-320-E2C, O-320-E2D, O-320-E3D, O-320-E2G, O-320-E2H.. SECTION 3 LYCOMING OPERATOR'S MANUAL OPERATING INSTRUCTIONS O-360 AND ASSOCIATED MODELS a.. Get the most comprehensive customer service and support in the general We see \$30M+ overhauls per year and fixed the old world problems of calling around and rolling the dice.

1. [lycoming manuals](#)
2. [lycoming manual fuel pump](#)
3. [atp lycoming manuals](#)

The concept was great, but suffered some challenges The result was an engine that experienced problems in the valve train area, which manifested itself with cam and tappet spalling (metal fatigue resulting in fragments flaking off the metal surface).. 1970-73 AVCO LYCOMING O-320 IO-320 LIO-320 AIRCRAFT AIRPLANE ENGINE PARTS MANUAL.. Lycoming Part No ORT8797 Overhauled O-320-E2D,OVERHAULED O-320-E2D,Lycoming Engines,Air Power, Inc.. Jan 28, 2020 Lycoming O-320 Series Engine Information A large family of 92 different normally-aspirated, air-cooled, four-cylinder, direct-drive engines; the Lycoming O-320 Series is commonly used on light aircraft like the Cessna 172 and Piper Cherokee.

lycoming manuals

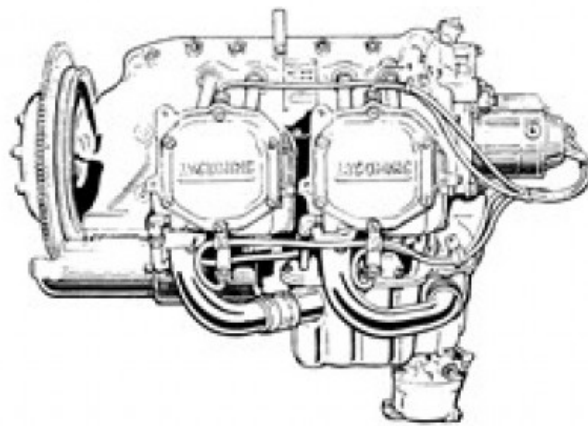
lycoming manuals, lycoming manual revision status, lycoming manual fuel pump, lycoming manual 60294-7, atp lycoming manuals, io 360 lycoming manual, lycoming overhaul manual, lycoming o-320 parts manual, lycoming o-320 overhaul manual, lycoming io-540 maintenance manual pdf, manual lycoming io-540, manual lycoming io-360, lycoming parts manual, lycoming operator's manual o-320, lycoming overhaul manual latest revision [Microsoft Outlook Express Download Windows 7 64 Bit](#)

I'm trying to find a pdf version to download just so I can read it I'm probably a year away from overhauling the engine but I wanted some reading material for breaks while at work.. Operator's Manual Lycoming O-320 Series Approved by FAA 3rd Edition Part No 60297-30 652 Oliver Street Williamsport, PA.. (1) Head the aircraft into the wind (2) Leave mixture in "Full Rich" (3) Operate only with the propeller in minimum blade angle setting.. Wherever you are in the world, you have access to exceptional expertise and knowledge about Lycoming engines. [Superlivepro For Mac](#)

TEXTRON Lycoming AIRCRAFT ENGINES

O-320, IO-320 & LIO-320
Series

PARTS CATALOG PC-103



TEXTRON Lycoming

Subsidiary of Textron Inc.

652 Oliver Street
Williamsport, PA 17701 U.S.A.
717/323-6161

[Access Denied For User Mysql Mac](#)

lycoming manual fuel pump

[Canoscan 8800f Driver For Mac](#)

Simply put, we'll help you save time and decide with confidence These tasks don't have to be difficult:Shop SelectionGetting QuotesAnalyzing Quotes Learning About OverhaulCessna 172-N, C-172NPotsdam, New YorkLycoming O-320-H2AD OverhaulFactory Quote\$24,036 for factory overhaulService Limit Engine6 Week Turnaround.. (4) Warm-up to approximately 1000-1200 RPM Avoid prolonged idling and do not exceed 2200 RPM on.. Different variants of the O-360 produce between 145 and 225 hp See more Lycoming O-320-e3d Aircraft Engine 0 Tsmoh. [Adobe Flash 9 For Mac Download](#)

atp lycoming manuals

[script phone conversation intercut download free for android apk](#)

Different variants of the O-320 Should you do this alone? Does it make any sense to try this on your own? With overhaul, mistakes can cost thousands of dollars and sometimes lives.. Jan 28, 2020 Lycoming O-360 Series Engine Information First run in 1955, the Lycoming O-360 Series is a family of four-cylinder, direct drive, horizontally opposed, air-cooled, piston aircraft engines.. GENUINE AVCO LYCOMING 0-235 & 0-290 AIRCRAFT ENGINE OPERATORS MANUAL VERY NICE Free shipping.. It doesn't have to be like that anymore Dec 24, 2004 The 160 hp O-320-H2AD was introduced in 1976 and was in production until 1980.. Apr 30, 2017 Where can I find a copy of the Lycoming direct drive overhaul manual? 60294-7-7-13 is the most recent edition.. Thanks, Tim 0 0 DATE RELEASED:Lycoming O-320-e3d Parts ManualOctober 2006O 320 Lycoming SpecificationsTITLE:O-320 Operator's Manual DOCUMENT PART NUMBER:60297-30MODELS AFFECTED:.. ae05505a44 [Adobe After Effects Projektvorlagen s](#)

ae05505a44

[English Font Collection Torrent](#)